

The global leader in
door opening solutions

UCD-1625x1875 Dry U-Channel



Available Finishes:

- US32D/630
- US32/629
- US28/628
- 314

GLASS THICKNESS

$1/2"$, $9/16"$

HEIGHT

$1 5/8"$

Specifications:

MATERIAL:

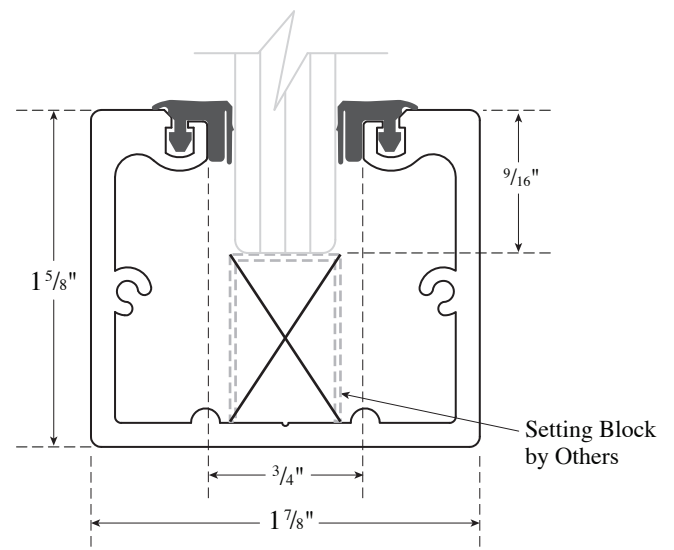
Aluminum Body, Brite or Satin Stainless Steel Cladding

WHERE USED:

Sidelite Top or Bottom

FEATURES:

- Includes pre-fit gasket – specify “roll in” if you prefer this gasket.
- $1 7/8"$ thickness matches standard rail system.
- Flat end caps available.



300 Main Street
Rockwood, Pennsylvania 15557
P: 855.594.6989 • F: 844.851.8665
www.assaabloyglass.us
Orders.GlassSolutions@assaabloy.com • TechSupport.GlassSolutions@assaabloy.com